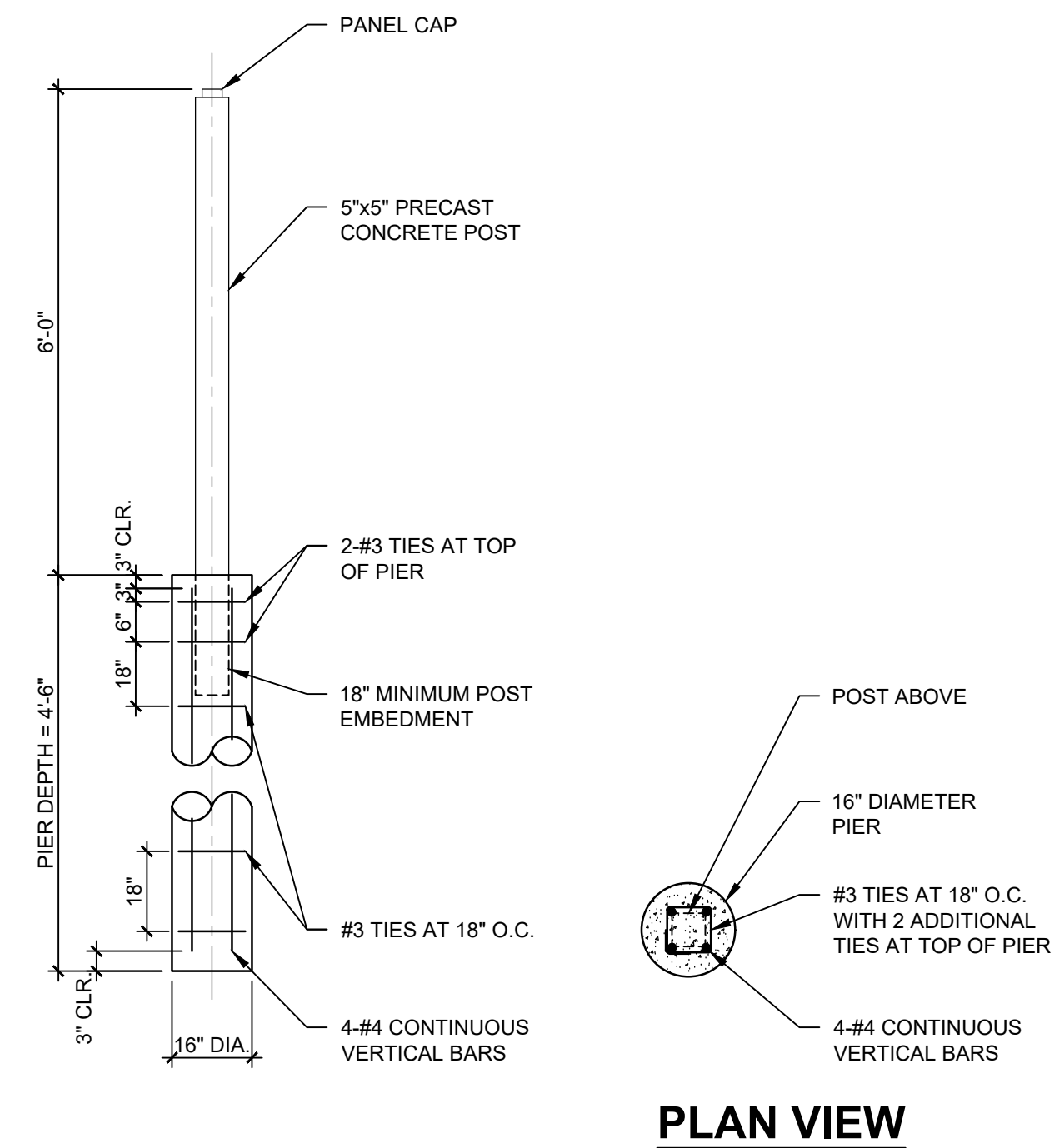


ELEVATION - 6'-0" SCREENING WALL AND PIERS



SECTION - 6'-0" SCREENING WALL AND PIER

GENERAL NOTES

- STRUCTURAL DESIGN IS IN ACCORDANCE WITH THE PROVISIONS OF THE 2015 INTERNATIONAL BUILDING CODE.
- TO ACHIEVE THE FINAL EFFECT OF REAL STONE, CONCRETE WALLS ARE COLORED WITH A WATER-BASED ACRYLIC STRUCTURAL CONCRETE PAINT DESIGNED FOR SUPERIOR PENETRATION. THE PAINT IS SPECIFICALLY FORMULATED TO ENSURE MOISTURE PROOFING, COLOR STABILITY, AND ULTRA-VIOLET RESISTANCE.

FOUNDATION NOTES

- THE FOUNDATION DESIGN IS BASED ON THE PROVISIONS OF THE 2015 INTERNATIONAL BUILDING CODE.
- THE FOUNDATION SHALL CONSIST OF AUGER-EXCAVATED, STRAIGHT SHAFT REINFORCED CONCRETE PIERS. REFER TO TYPICAL PIER DETAIL FOR BEARING DEPTH.

STRUCTURAL CONCRETE NOTES

- ALL CONCRETE WORK SHALL BE IN ACCORDANCE WITH THE LATEST EDITION OF ACI 301 AND ACI 318. ALL CONCRETE SHALL BE LABORATORY DESIGNED AND CONTROLLED.
- CONCRETE IN THE FOLLOWING AREAS SHALL HAVE SAND AND GRAVEL OR CRUSHED STONE COARSE AGGREGATES AND CORRESPONDING TWENTY-EIGHT (28) DAY COMPRESSIVE STRENGTH AS FOLLOWS:

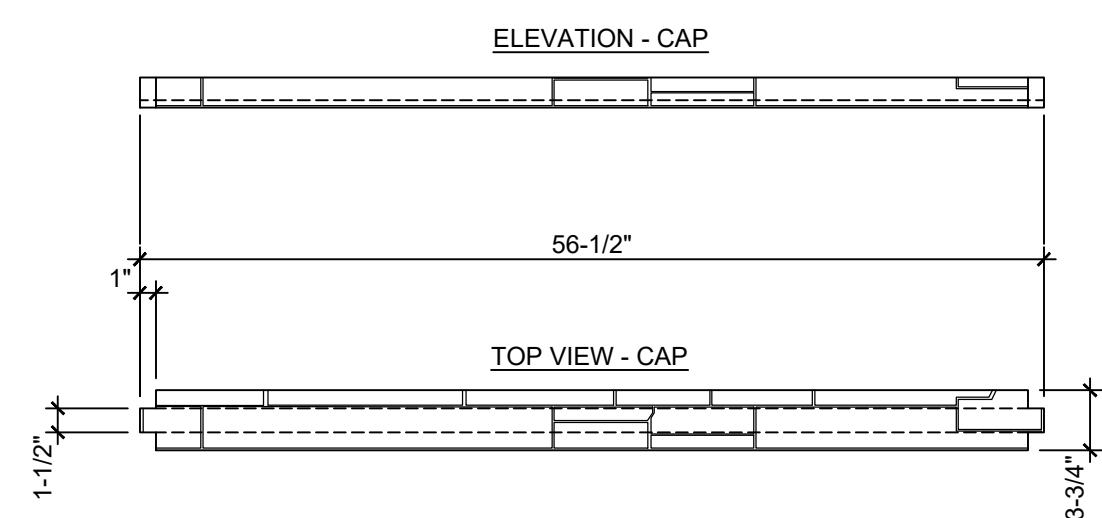
PRECAST PANELS, PANEL CAPS, AND POSTS	5,000 PSI
ALL CAST-IN-PLACE CONCRETE, U.N.O.	3,000 PSI

- ALL CONCRETE SHALL CONTAIN AN AIR-ENTRAINING ADMIXTURE PROVIDING THREE (3) TO SIX (6) PERCENT AIR BY VOLUME.
- CONCRETE PROTECTION FOR STEEL REINFORCEMENT SHALL BE AS FOLLOWS (SEE ACI 318, SECTION 7.7 FOR CONDITIONS NOT INDICATED):

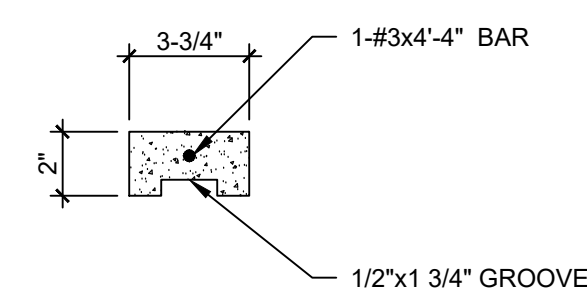
ALL CONCRETE PLACED AGAINST SOIL	3"
FORMED FOUNDATION CONCRETE	1"
PRECAST PANELS EXPOSED TO WEATHER	3/4"
PRECAST POSTS EXPOSED TO WEATHER	1 1/4"

REINFORCING STEEL NOTES

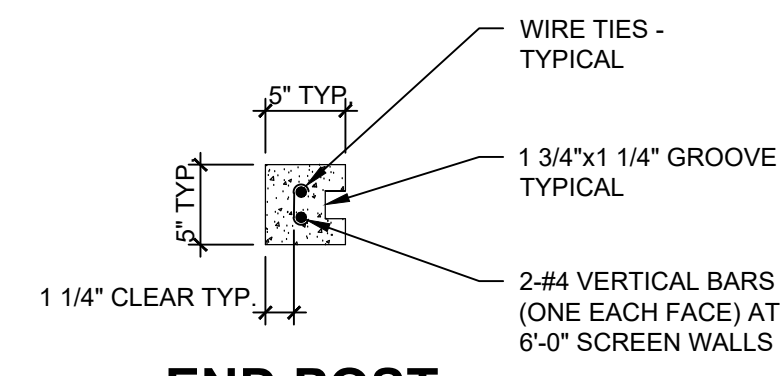
- ALL DETAILING OF STEEL REINFORCEMENT AND ACCESSORIES SHALL CONFORM TO ACI COMMITTEE 315 PUBLICATION SP-66, "ACI DETAILING MANUAL."
- DEFORMED BAR REINFORCEMENT SHALL BE IN CONFORMANCE WITH ASTM A615, GRADE 60.
- SPLICES WITHIN CONTINUOUS REINFORCING SHALL BE A MINIMUM OF THIRTY (30) BAR DIAMETERS.
- WELDED WIRE FABRIC SHALL BE ELECTRICALLY WELDED, COLD-DRAWN WIRE IN CONFORMANCE WITH ASTM A185, GRADE 65. WELDED WIRE FABRIC SHALL BE PLACED IN FLAT SHEETS ONLY.
- LAP WELDED WIRE FABRIC AT LEAST 1 1/2 SQUARES PLUS WIRE END EXTENSIONS BUT NOT LESS THAN TWELVE (12) INCHES, UNLESS NOTED OTHERWISE. EXTEND MESH ACROSS SUPPORTING BEAMS AND WALLS.
- ALL WELDED WIRE FABRIC SHALL BE 4x12-D4/D4 HAVING THREE (3) HORIZONTAL BARS AND FIVE (5) VERTICAL BARS.



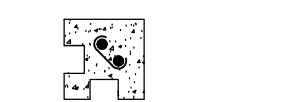
CHISELCRETE PANEL CAP



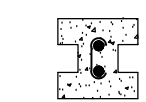
CHISELCRETE CAP - SECTION



END POST

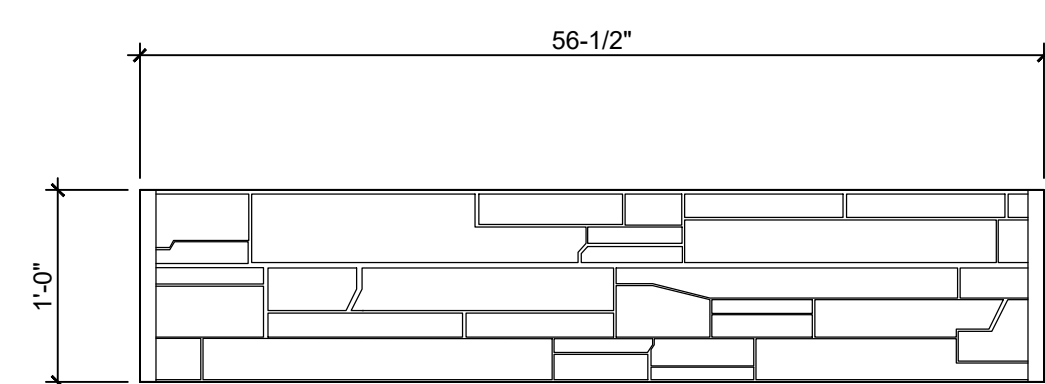


CORNER POST

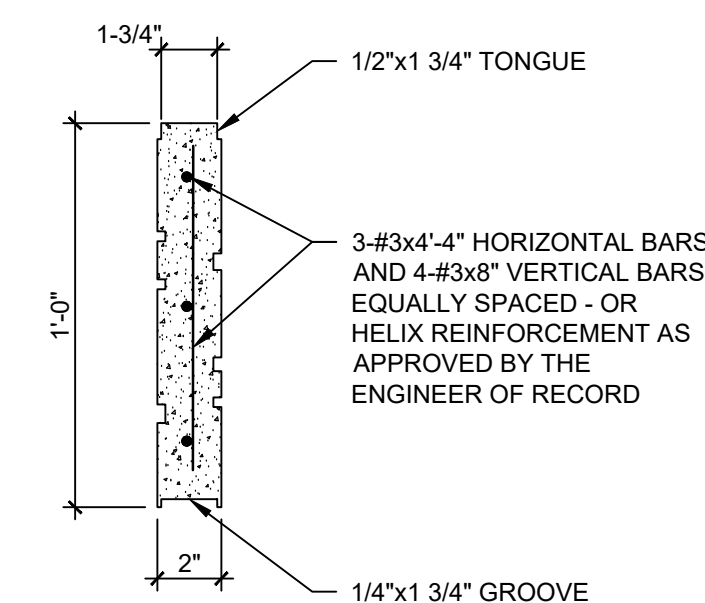


LINE POST

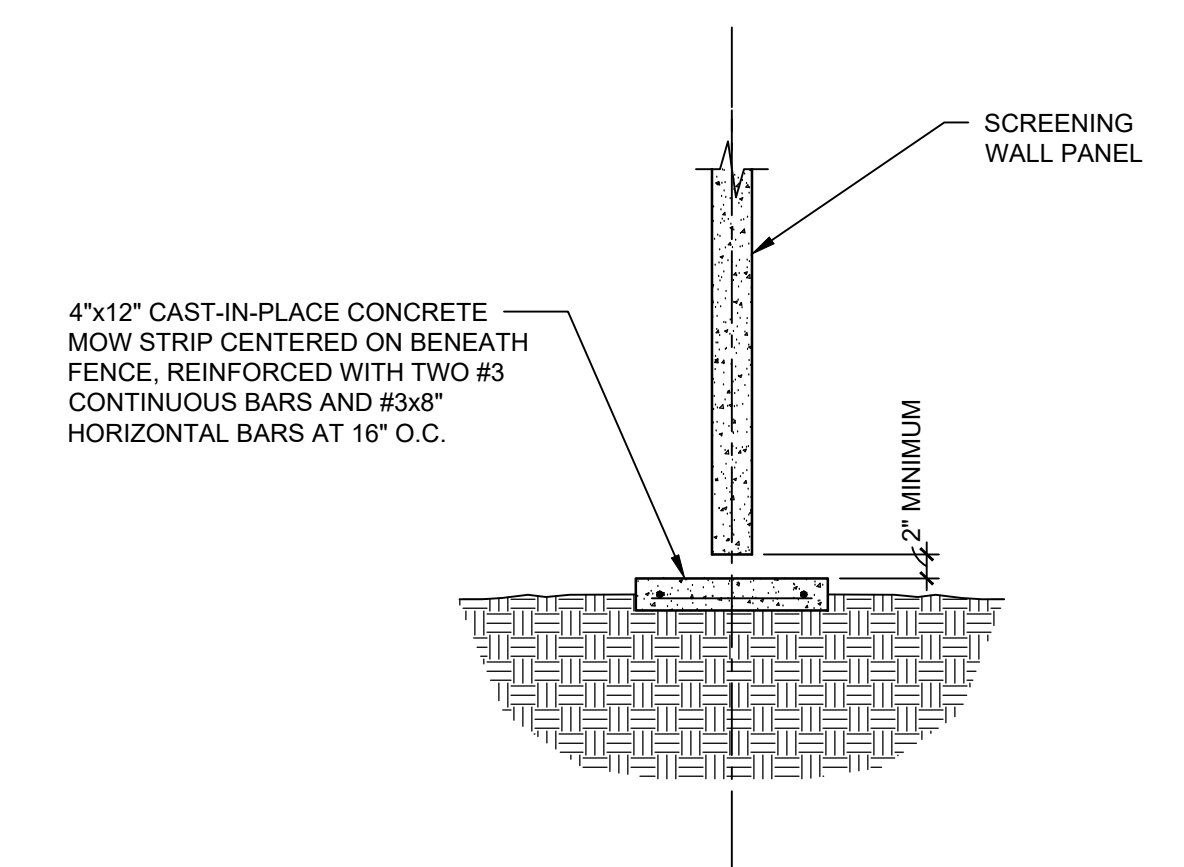
SECTION - 6'-0" SCREENING WALL POST



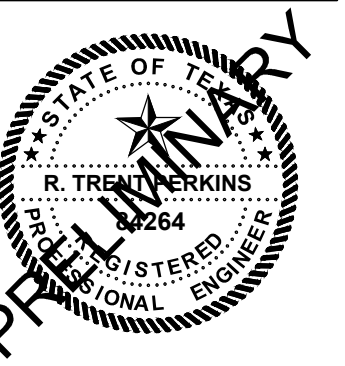
CHISELCRETE STANDARD PANEL



CHISELCRETE PANEL - SECTION



SECTION - OPTIONAL MOW STRIP



THE SEAL APPEARING ON THIS DOCUMENT IS AUTHORIZED BY R. TRENT PERKINS, P.E. 84284

RTPstructural, PLLC
Texas Engineering Firm F-16159
107 N. Goliad Street - Suite 204
Rockwall, Texas 75087
P: 214.293.2503
www.RTPstructural.com



Precast Concrete Fence for:
The Best Project Ever
Awesomeville, Texas

DATE:
4/30/2019
PROJECT NUMBER:
19000
DRAWINGS ISSUED FOR:
CONSTRUCTION
SHEET NUMBER

S1.1
STRUCTURAL
FENCE DETAILS

COPYRIGHT © 2019